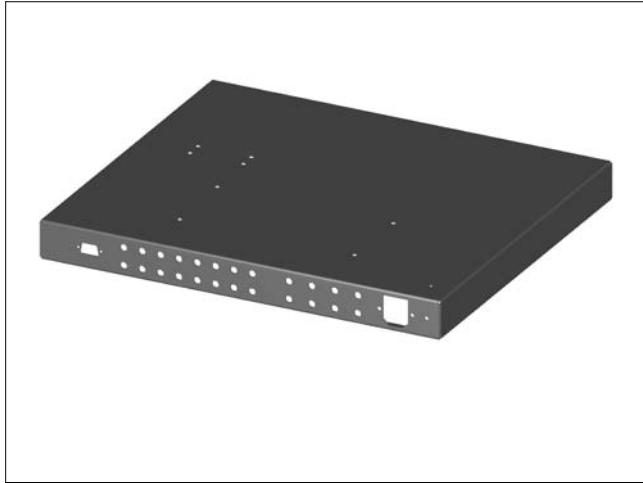


## 2001 - Interlock Controller - Box

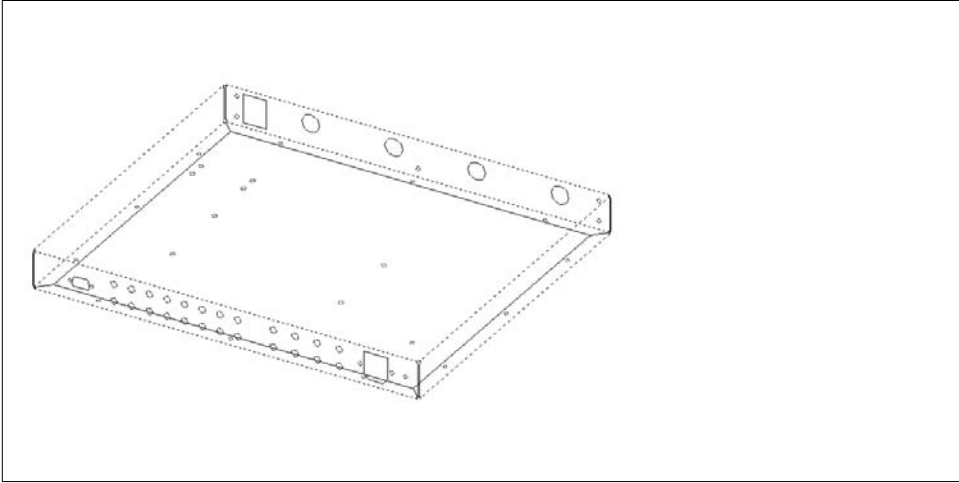


<b>Material:</b>	AlMg3
<b>Thickness:</b>	1.20
<b>Machine:</b>	30114
<b>Production-set</b>	
<b>Order:</b>	1
<b>Customer:</b>	LVD
<b>File:</b>	123

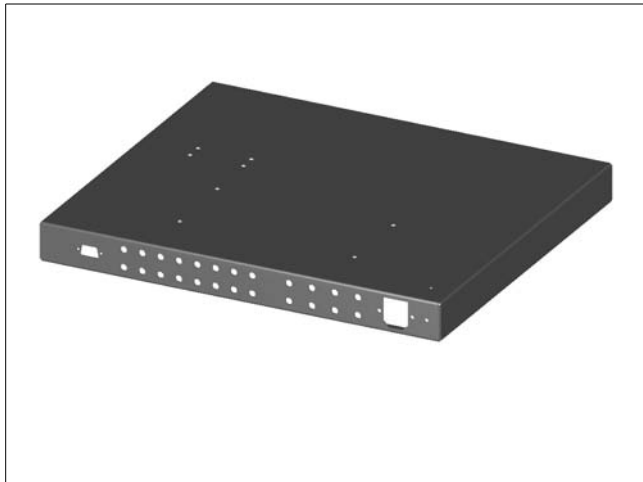


Part	Quantity	5
File		05/12/2008
Order	1	
Customer	LVD	13:38:40
File	123	1/11

3D-model (no thickness)



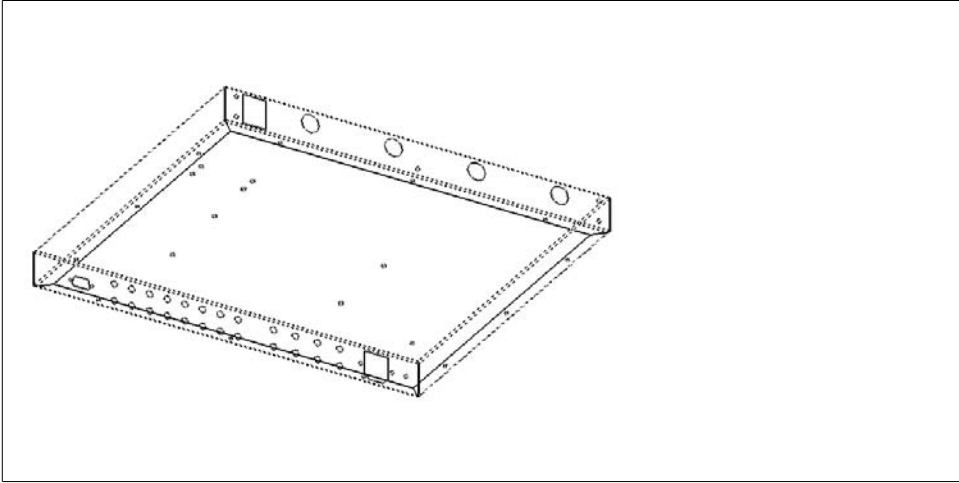
3D-model (solid)



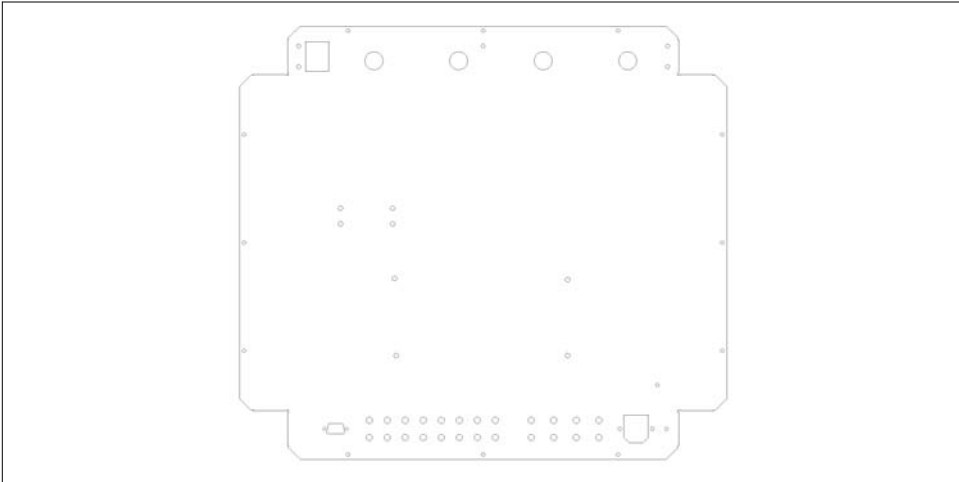


Part	Quantity	5
File		05/12/2008
Order	1	
Customer	LVD	13:38:40
File	123	2/11

3D-model (with thickness)



DXF

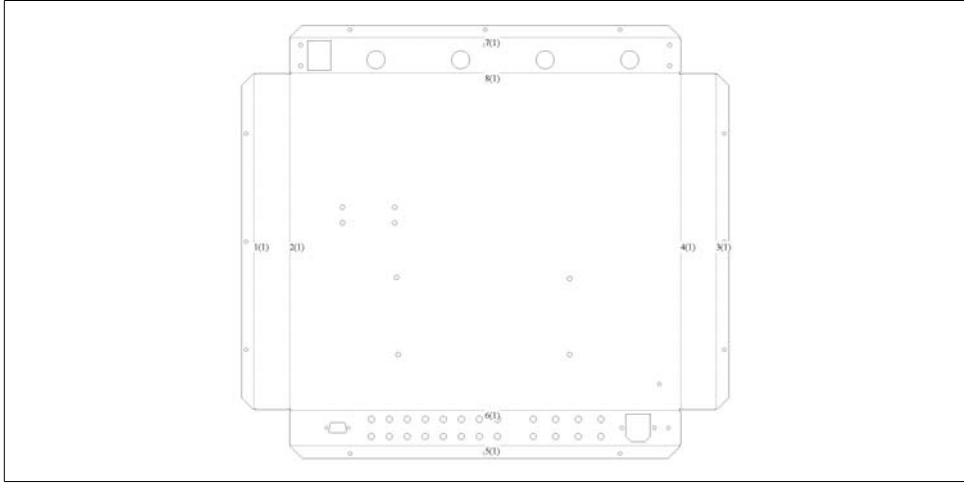


Nr	Angle	Radius	Set	PunchHolder	Punch	Die	DieHolder
2	90.00	1.40	V087_BIU_031_EF		BIU_031_2	V08_30_90_C	
3	90.00	1.40	V087_BIU_031_EF		BIU_031_2	V08_30_90_C	
4	90.00	1.40	V087_BIU_031_EF		BIU_031_2	V08_30_90_C	
5	90.00	1.40	V087_BIU_031_EF		BIU_031_2	V08_30_90_C	
6	90.00	1.40	V087_BIU_031_EF		BIU_031_2	V08_30_90_C	
7	90.00	1.40	V087_BIU_031_EF		BIU_031_2	V08_30_90_C	
8	90.00	1.40	V087_BIU_031_EF		BIU_031_2	V08_30_90_C	
9	90.00	1.40	V087_BIU_031_EF		BIU_031_2	V08_30_90_C	




<b>Part</b>		<b>Quantity</b>	<b>5</b>
File			05/12/2008
Order	1		
Customer	LVD		13:38:40
File	123		3/11

Flat pattern

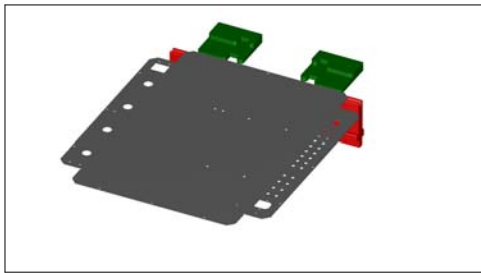


Material	AlMg3
Thickness	1.20
Machine	30114
Unit	mm

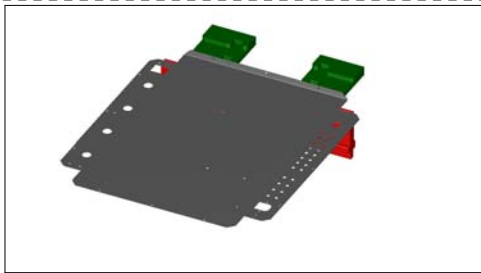
	<b>Part</b>		<b>Quantity</b>	<b>5</b>
	File			05/12/2008
	Order	1		
	Customer	LVD		13:38:40
	File	123		4/11

Picture overview

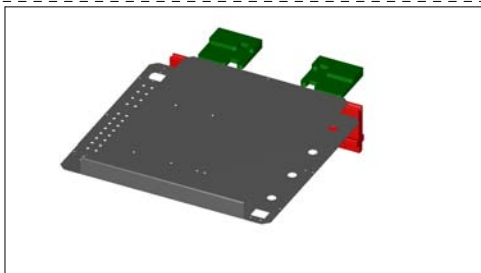
SeqNr	1
Alfa	90.00
L	371.59
X1	13.86
R1	85.00
Z1	917.04
X2	13.86
R2	85.00
Z2	1132.96
Set	V087_BIU_031_EF
Punch	BIU_031_2
Die	V08_30_90_G1543245



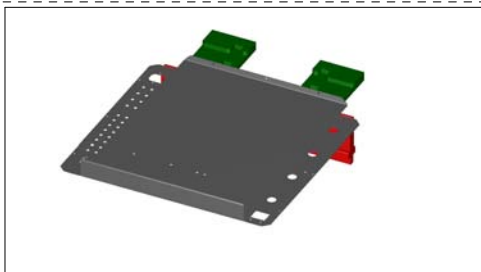
SeqNr	2
Alfa	90.00
L	371.60
X1	40.70
R1	87.60
Z1	908.64
X2	40.70
R2	87.60
Z2	1141.36
Set	V087_BIU_031_EF
Punch	BIU_031_2
Die	V08_30_90_G1543245




SeqNr	3
Alfa	90.00
L	371.59
X1	13.86
R1	85.00
Z1	917.04
X2	13.86
R2	85.00
Z2	1132.96
Set	V087_BIU_031_EF
Punch	BIU_031_2
Die	V08_30_90_G1543245

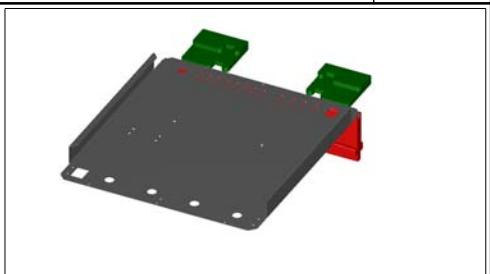


SeqNr	4
Alfa	90.00
L	371.60
X1	40.70
R1	87.60
Z1	908.64
X2	40.70
R2	87.60
Z2	1141.36
Set	V087_BIU_031_EF
Punch	BIU_031_2
Die	V08_30_90_G1543245

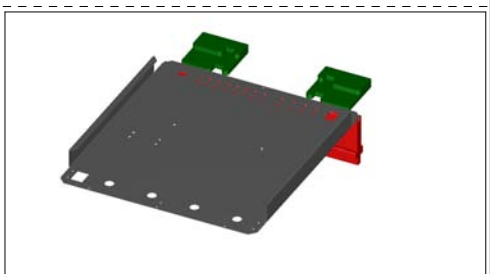


	<b>Part</b>		<b>Quantity</b>	<b>5</b>
	File			05/12/2008
	Order	1		
	Customer	LVD		13:38:40
	File	123		5/11

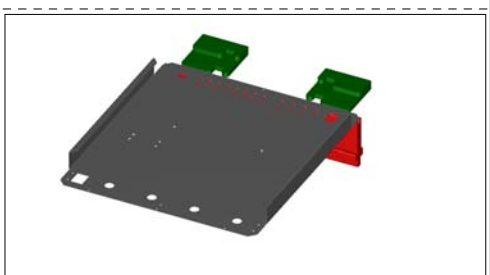
SeqNr	5
Alfa	90.00
L	432.19
X1	13.86
R1	85.00
Z1	896.84
X2	13.86
R2	85.00
Z2	1153.16
Set	V087_BIU_031_EF
Punch	BIU_031_2
Die	V08_30_90_G1543245



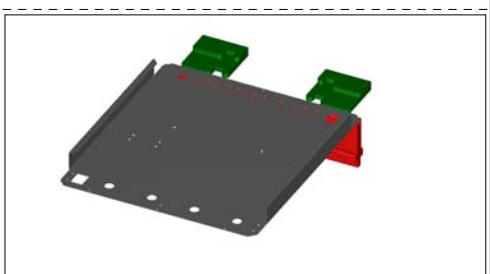
SeqNr	6
Alfa	90.00
L	432.20
X1	40.70
R1	87.60
Z1	888.44
X2	40.70
R2	87.60
Z2	1161.56
Set	V087_BIU_031_EF
Punch	BIU_031_2
Die	V08_30_90_G1543245



SeqNr	7
Alfa	90.00
L	432.19
X1	13.86
R1	85.00
Z1	896.84
X2	13.86
R2	85.00
Z2	1153.16
Set	V087_BIU_031_EF
Punch	BIU_031_2
Die	V08_30_90_G1543245



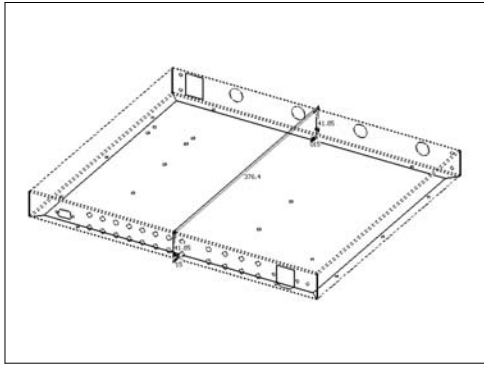
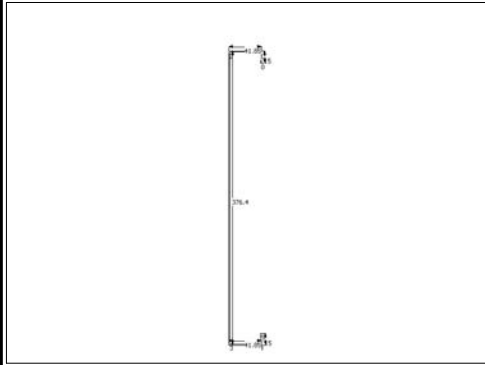
SeqNr	8
Alfa	90.00
L	432.20
X1	40.70
R1	87.60
Z1	888.44
X2	40.70
R2	87.60
Z2	1161.56
Set	V087_BIU_031_EF
Punch	BIU_031_2
Die	V08_30_90_G1543245



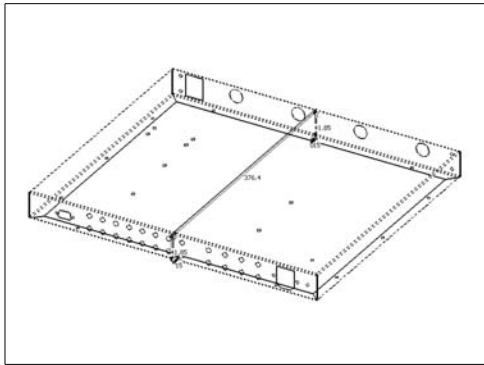
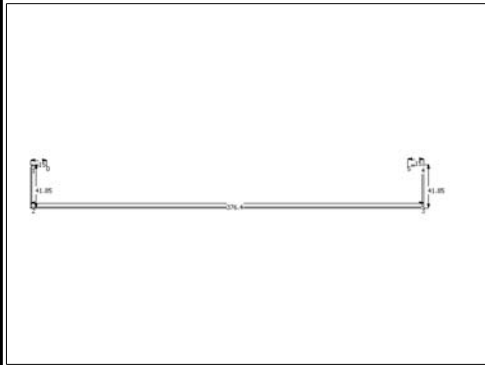


Part	Quantity	5
File		05/12/2008
Order	1	
Customer	LVD	13:38:40
File	123	6/11

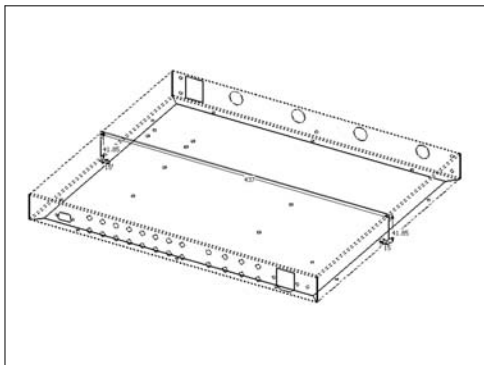
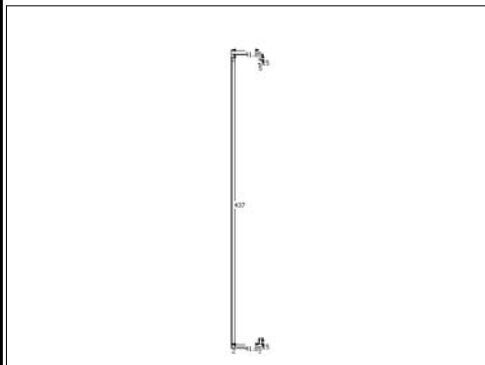
Section of face 2



Section of face 3



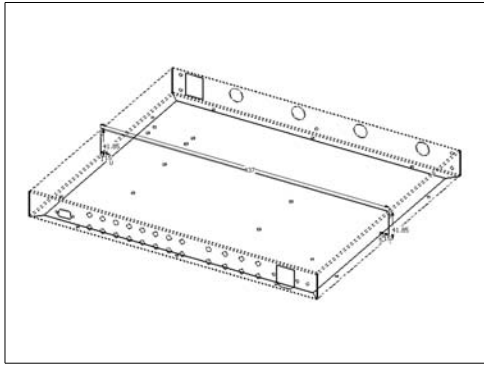
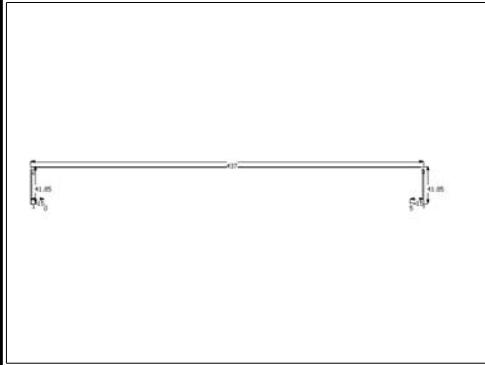
Section of face 4



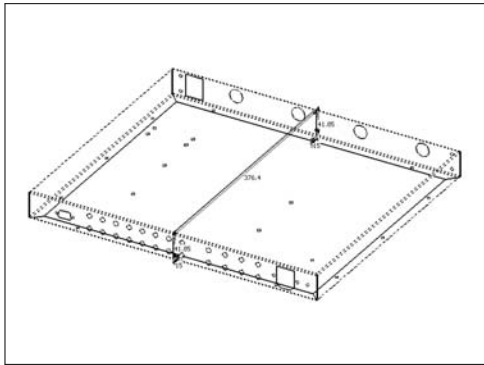
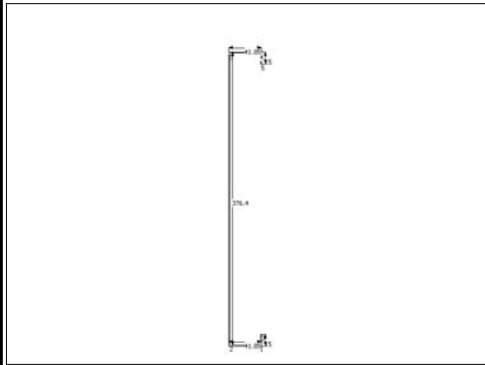


Part		Quantity	5
File			05/12/2008
Order	1		
Customer	LVD		13:38:40
File	123		7/11

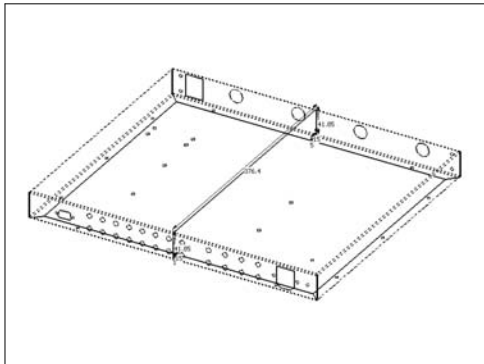
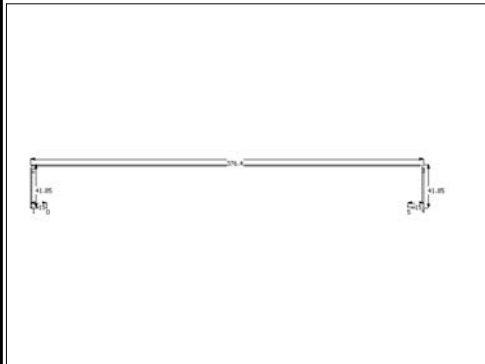
Section of face 5



Section of face 6



Section of face 7

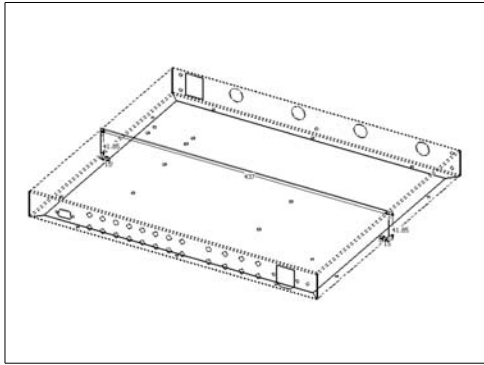
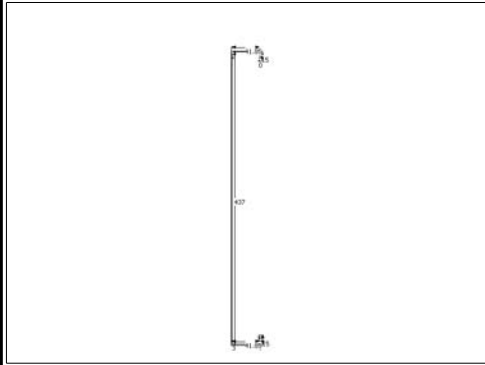




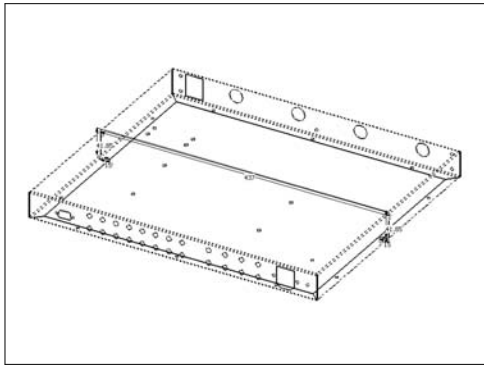
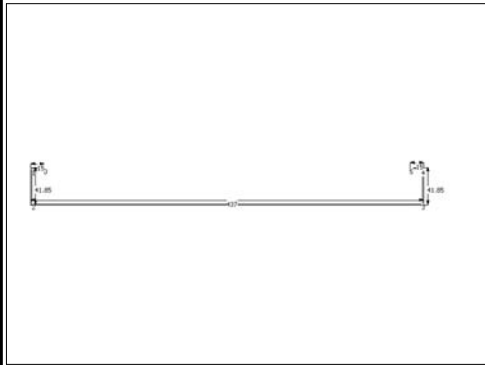


Part	Quantity	5
File		05/12/2008
Order	1	
Customer	LVD	13:38:40
File	123	8/11

Section of face 8

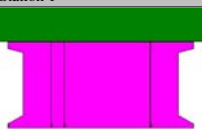


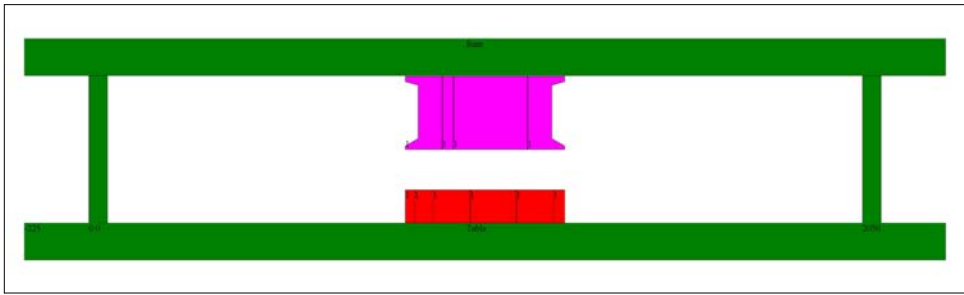
Section of face 9

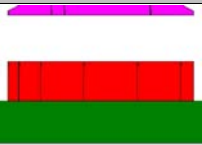




<b>Part</b>		<b>Quantity</b>	5
File			05/12/2008
Order	1		13:38:40
Customer	LVD		9/11
File	123		

Station 1	Punch	<--	<-->	<-->	<-->
	BIU_031_2 - 100.00 - LH		808.90	100.00	908.90
	BIU_031_2 - 30.00		909.63	30.00	939.63
	BIU_031_2 - 200.00		940.37	200.00	1140.37
	BIU_031_2 - 100.00 - RH		1141.10	100.00	1241.10




Station 1	Die	<--	<-->	<-->	<-->
	V08_30_90_G1543245 - 25.00		808.90	25.00	833.90
	V08_30_90_G1543245 - 50.00		834.34	50.00	884.34
	V08_30_90_G1543245 - 100.00		884.78	100.00	984.78
	V08_30_90_G1543245 - 125.00		985.22	125.00	1110.22
	V08_30_90_G1543245 - 100.00		1110.66	100.00	1210.66
	V08_30_90_G1543245 - 30.00		1211.10	30.00	1241.10



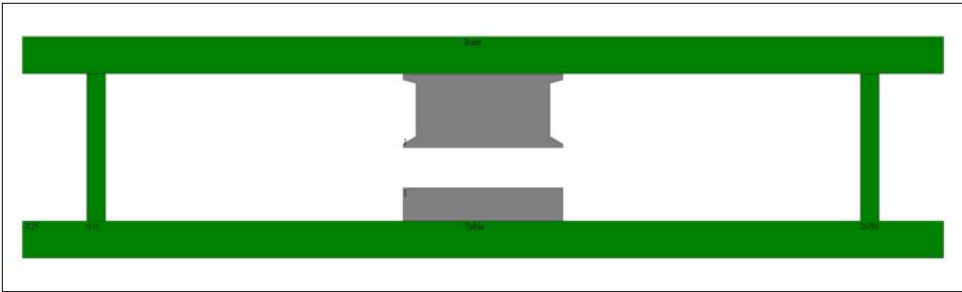
<b>Part</b>		<b>Quantity</b>	<b>5</b>
File			05/12/2008
Order	1		13:38:40
Customer	LVD		10/11
File	123		

Station 1 | DieHolder | <-- | <--> | |-->



	<b>Part</b>		<b>Quantity</b>	<b>5</b>
	File			05/12/2008
	Order	1		
	Customer	LVD		13:38:40
	File	123		11/11

Nr	PunchHolder	<--	<-->	-->
Nr	Punch	<--	<-->	-->
1	BIU_031_2	808.90	432.20	1241.10



Nr	Die	<--	<-->	-->
1	V08_30_90_G1543245	808.90	432.20	1241.10

Nr	DieHolder	<--	<-->	-->
----	-----------	-----	------	-----